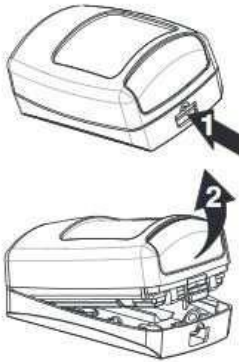


## Replacing the battery on a 5800RES-PIR Motion Detector

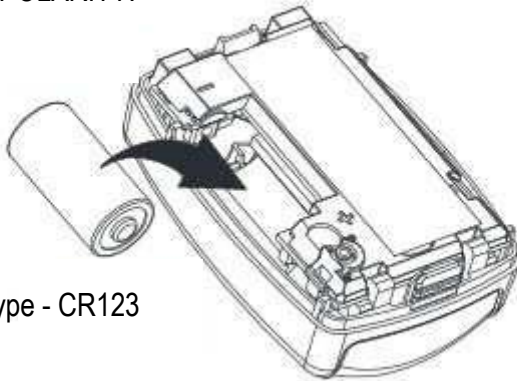
Please make sure that the alarm system is “on test”, because a tamper alarm will occur when opening the motion detector.

Open Cover



1. Push with screwdriver
2. Lift cover

OBSERVE POLARITY!



Battery Type - CR123

After the battery is replaced and the motion detector is back on the wall with the cover closed, you will need to enter your disarm code twice to clear the alarm event from the keypad.

After the system is returned to normal, please call to put your system back in service.